

感谢您选用本公司的产品,为了使我们的服务让您更满意,在购买产品后请阅读安装使用说明。

Thanks for choosing our products , for better service , please read all the instructions before using.

Product features

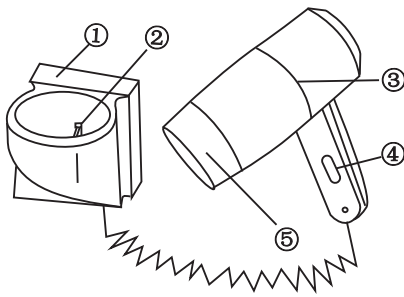
产品特点

Wall-mounted hair dryer is the new style product with new concept. Its advantage of dual switch, overhead automatic protective setting, make it more safety. The hair dryer is using the new technology, with the high heating efficiency. the hair dryer is fashion design, low noise, comfortable hot wind. It's a ideal choice for hotel and family.

AYT-168固定式美发器是一种使用概念完全更新的新一代产品,它具有双重开关保护、双重超温自动断电保护和双重防触电保护的优点,采用新工艺的发热源,发热效率高,外形新颖、独特,噪声小,两档热风选择,热风温度适宜,是酒店、家庭理想选择。

Dispenser Components

产品结构图

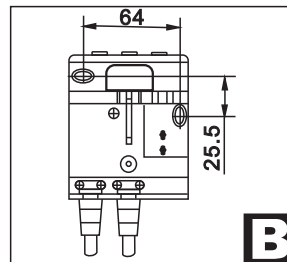
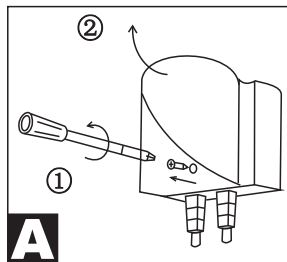


- | | |
|-------------------|---------|
| 1.Setting | 1. 插筒 |
| 2.Power switch | 2. 电源开关 |
| 3.Hair dryer body | 3. 风筒主体 |
| 4.Shift switch | 4. 档位开关 |
| 5.Air outlet | 5. 导风嘴 |

请不要将器具安装在浴池和洗盆的上方以及有水滴下的地方。
Don't install the hair dryer in bathroom and other moist places.

How to install

安装方法



1. According to the picture 1, use the cross screwdriver to Loose the screws of the setting ,and discharge the setting.
2. According to the dimension on the picture 2, drill $\Phi 2-6\text{mm}$ install holes and use the toggle and screw to fix the setting.
3. Use the original screw to fix the setting, check the power Switch, if it cannot work well, install again. Insert the hair Dryer into the setting, then it can use.

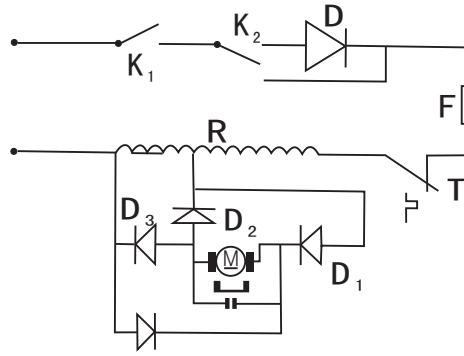
1. 按图A所示,用十字螺丝刀旋开插筒螺丝并卸下插筒。
2. 按图B固定座所示尺寸钻 $\Phi 2-6\text{mm}$ 安装孔,并用随机附送的胶塞和安装螺丝将固定座固定。
3. 合上插筒并用原螺丝固定,检查电源开关动作是否灵活,否则要重新安装。然后将风筒主体插入插筒内即可使用。

How to use

使用方法

1. Switch on general power and take out the hair dryer body, then the hair dryer will work when the spring button is lower heating.
 - 0 Shift Stop to work.
 - 1 Shift Slow speed working, can finalize the hair design.
 - 2 Shift Full speed working, can dry the hair quickly.
2. Insert the hair dryer body into the setting, then the hair dryer stop to work.
3. Please do not stuck the rear air inlet with your hand or other stuff when the hair dryer is working, in order to avoid the temperature limiter to stop working automatically in the over temperature.

1. 插上电源,取出风筒主体,选择手柄上开关档位即可工作。
 - 0档: 停止工作
 - 1档: 慢速工作,对头发定型、整型。
 - 2档: 快速工作,对头发快速吹干。
2. 将风筒主体插入插筒,风筒即停止工作。
3. 风筒工作时,请勿用手或其它物体堵塞后壳入风口,以免温度过高限温器自动断开而使风筒暂停工作。



How to USE

Voltage: 220V~50Hz

Power: 1000w

Electric shock protection:



技术参数

额定电压：220V-50Hz

额定功率：1000 W

防触电保护：



Notes

1. Install the hair dryer away from the place where people taking the bath.
2. Avoid using the hair dryer near the piscina and basin, to avoid the humidity.
3. If the wire can not work well or broken, ensure the safety, change the wire by the manufacturer or professional repairman.
4. Please do not install the hair dryer above the piscina and basin, to avoid the humidity.
5. When using the hair dryer in the bathroom, pull out the power plug to cut off the electrical outlet to avoid the danger of the water. We suggest that install a electrical setting which rated surplus working electric below 30mA.
6. Please do not operate without the cover of the hair dryer.
7. Please do not use hand or other object to jam the inlet and outlet, and keep it clean.
8. To avoid the directly touch by the water.

注意事项

1. 此器具必须固定在远离每一洗浴者的地方。
2. 不要在盛水的浴池、浴盆或其他容器附近使用此器具。
3. 如果电源软线损坏, 为避免危险, 必须由制造厂或其维修部专职人员来更换。
4. 本美发器必须安装固定在洗澡或淋浴时触及不到的地方。
5. 美发器在浴室内使用时, 使用完后拔下插头, 因为即使美发器开关断开后, 接近水仍存在危险。建议在浴室供电的电气回路中安装一个额定剩余工作电流不超过30mA的剩余电流装置。
6. 切勿卸去外壳操作本机。
7. 请不要阻塞进风口和出风口, 并保持其清洁。
8. 使用时避免用水直射本机。