

感谢您选用本公司的产品,为了使我们的服务让您更满意,在购买产品后请阅读安装使用说明。

Thanks for choosing our products , for better service , please read all the instructions before you begin.

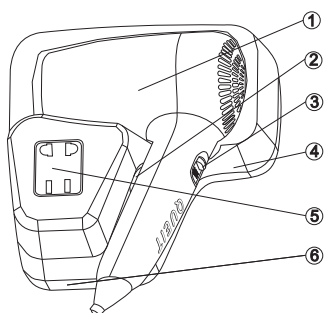
### Installation tips

1. AYT-188B is with 110V-220V shaver socket; AYT-188A is without shaver socket.
2. Characterized with a general power switch to allow this unit be power off when it is not in using.
3. Two heatings.
4. Slightly press on the spring button to turn on and work, release that switch to turn off.

### 产品特点

1. AYT-188B带有110V~/220V~的须刨插座, AYT-188A不带须刨插座;
2. 设有电源开关, 停用时可关闭电源, 可使整机不带电;
3. 高、低两档热风和风量设置, 随意选择;
4. 手柄带有微动开关按钮, 提起手柄并轻握开关按钮通电工作, 松开按钮即断电停止工作。

### Dispenser Components

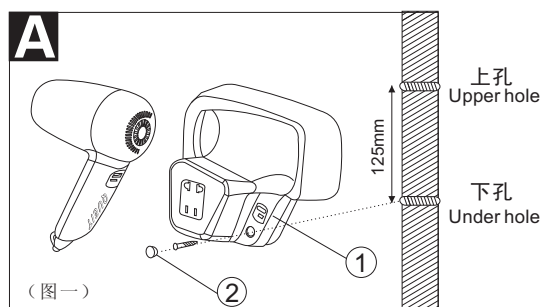


### 产品结构图

- |                  |           |
|------------------|-----------|
| 1. Dryer Body    | 1. 风筒     |
| 2. Spring button | 2. 微动开关按钮 |
| 3. Swift switch  | 3. 拨动开关   |
| 4. Front Cover   | 4. 前壳     |
| 5. Shaver Socket | 5. 须刨插座   |
| 6. Back Plate    | 6. 后壳     |

### Installation instructions

### 安装方式选择



① General power switch

② Toggle

① 电源总开关

② 螺丝胶塞

#### • Installation with plug instructions

1. Drill two hole of 2-6mm diameter according to the dimension shown in picture A then insert toggle into that holes, use screw to fix its hanger to top hole.
2. Align installation clip on the back plate to the hanger and push down, fix front and back plate on wall with the screw, then insert toggle into screw hole.
3. Connect with general power and move power switch to "ON" position.

#### • 明线安装

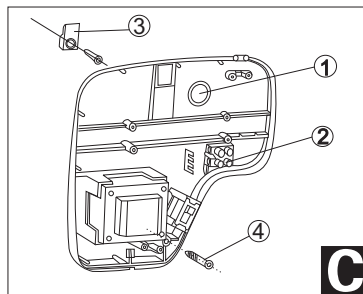
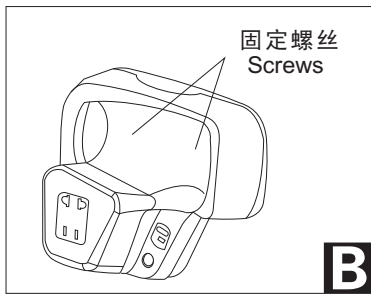
1. 按(图A)所示尺寸在安装位置钻 $\Phi 2-\Phi 6$ 安装孔,并用随机附送的胶塞塞入,用安装螺丝将挂钩紧固在上孔;
2. 将后壳后面的安装卡口对准挂钩插入,按图A中,②与下孔所示的虚线出孔位,用随机附送的螺丝将前、后壳一齐固定在墙上,然后把螺丝胶塞塞入螺丝孔位;
3. 插上电源,将电源总开关拨在"ON"位置即可。

#### • Installation without plug instructions

1. As per first step of the method above.
2. Loosen the screws as per picture B to remove front cover align "open" clip on the back plate, push down and take out the back plate and remove the plug-connected wire from terminal.

#### • 暗线安装

1. 按(明线安装步骤1)
2. 按(图B)所示先把紧固在前壳的螺丝松开,再用螺丝刀对准底板的"Open"口,按"↓"方向一挑把底板拉出来,然后把前壳移开,将原来带插头的电源线从接线端子除下;

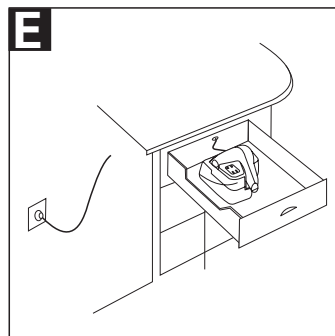
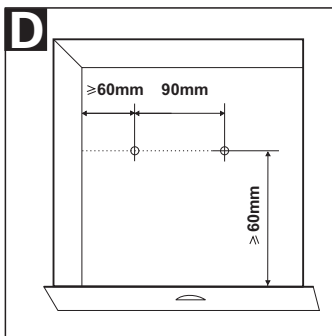


① Entry Hole  
② installation clip

① 进线孔  
② 接线端子  
③ 挂钩  
④ 出孔位

3. Drill hole according to picture C, fix the reserved wire through to the entry hole, clip on the back plate to the hanger, then fix back plate on wall with the screw.
4. Fix the reserved wire on terminal, please notice its direction of N,L wire, replace terminal to its original position (Picture C)
5. Fix front cover after checking that there is no mistake.
6. Turn on general power and move power switch to "ON" Position.

3. 按(图C)所示,把进线孔的塑料打开,将预留的电源线从进线孔穿过,然后将后壳挂上挂钩,并用随机附送的螺丝由出孔位进入,将后壳固定在墙上;
4. 将预留电源线接在电源线端子上(接线时要注意N、L线的方向),接好后将端子放在原来位置(图C);
5. 检查无误后,将前壳安装后在后壳上然后用螺丝固定;
6. 插上电源,将电源总开关拨在“ON”位置即可。



### • Installation in drawer instructions

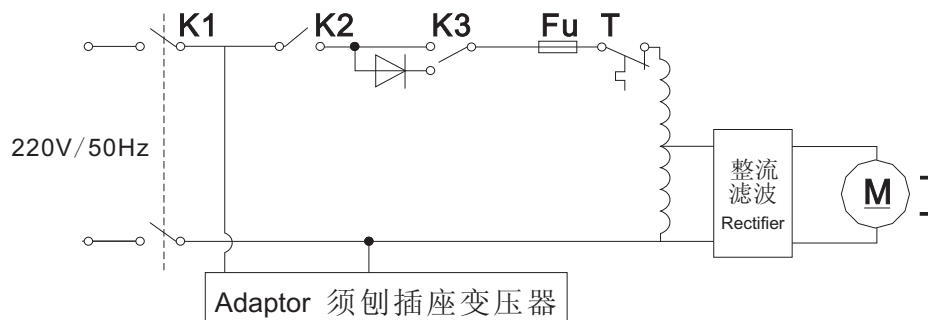
1. Drill two holes of 4 diameter according to dimension shown in picture D.
2. Fix the base of this unit on bottom board of drawer with the screws as per picture E.
3. Plug the general power in and turn power switch to "ON" position.

### • 抽屉安装

1. 按(图D)所示尺寸在抽屉板上钻Φ2-Φ4安装孔;
2. 随机附送的螺丝固定整个电吹风底座;如(图E)
3. 插上电源,将电源总开关拨在“ON”位置即可。

## Electrical principle Chart

## 电器原理图



## How to USE

## 使用方法

Switch on general power and pick up the dryer body, the dryer will work when the spring button is held on, move the push button up and down for higher or lower heating, "MAX" for hot heating, "MIN" for warm heating.

将电源总开关拨在“ON”上位置、拿起风筒轻按微动开关,即可工作,拔动手柄的档位拨动开关,可选择高低两档热风温度和风量,MAX为高档,MIN为低档。

## NOTES

## 注意事项

1. Ensure the voltage of hair dryer is same with the power supply.
2. Please follow the below safety frameworks when you operate the hair dryer. Don't operate the hair dryer when your hands are wet. Don't pull out the combined cord. Don't let the man who don't know how to operate the hair dryer operate it alone except monitored by man.
3. Clean and keep hair dryer  
Please pull out the power plug from electrical outlet when you cleaning the hair dryer. Please pay attention the hair dryer to avoid absorbing in the inlet of hair dryer. Please use the cleaning solution of water with soap to clean the housing of hair dryer, don't use spray liquid or abrasive. We don't responsible for any danger things if you don't follow the above instructions.

1. 此器具必须固定在洗澡或沐浴时触及不到的地方及远离每一个洗浴者的地方。也不能安装在浴池和洗盘的上方和有水滴下的地方;
2. 不要在盛水的浴池、浴盆或其他容器附近使用此器具,使用时避免用水直射本机;
3. 使用本器具时,请不要卸去外壳使用,也不要阻塞进风口与出风口,并经常保持其清洁;
4. 建议在浴室的供电的电气回路中安装一个额定剩余工作电流不过30mA的电流装置。